

auto electrical parts

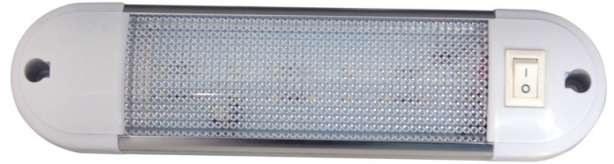
Technical Information Sheet

Part No. 0-668-32

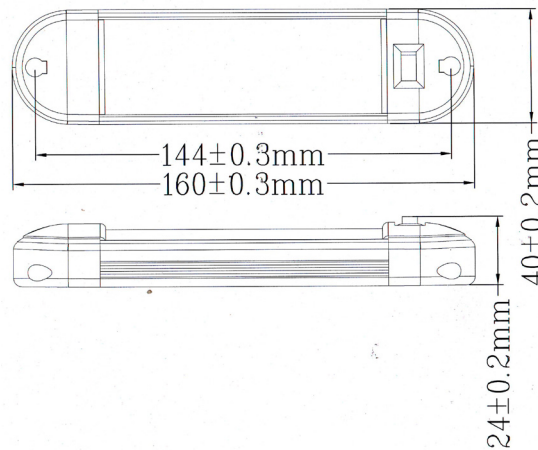
LED Interior Lamp. 10-30V. 18 White LED's. 210Lumens.
Polycarbonate housing with aluminium base.
EMC Approved.

Additional Information:

Red wire +ve switched supply
Black wire -ve ground



Technical Drawing (not to scale)



Specification

Type	LED Interior Lamp
Voltage	10-30V
Current	0.09A @ 13.5V
No. of LED's	18 LED's
LED Power (Total)	1.2W
Lumens	210Lm
Housing	Polycarbonate Housing / Aluminium Base
Operation Temperature	-20°C to 60°C
Protection	N/A
Weight	0.072KG
Dimensions	160 x 40 x 24mm
Compliance	EMC

The information contained in this document is correct to the best of our knowledge at the time of printing. However, specifications may change at any time without notice.